

The UGCIS **BUAYA 16** manages 16 maintained doors Locked by Security Actuated Devices (DAS).



Emergency unlocking of exits is possible in three ways:

- by the automatic safety procedure of all the issues of the concerned area via the general evacuation system placed upstream,
- either by activating the safety procedure command by area available from UGCIS
- by a local action on the Demand Device (DDO) placed close to the exit leading to the automatic unlocking after a time delay of 8 seconds (T1), the door can be kept locked thanks to the UGCIS up to 3 minutes (T2), to allow the removal of visual doubt of the concerned door.

Recommended equipment for :

- Establishments Receiving Public (ERP), provided with a security post,
- administrations.

Functional characteristics

The BUAYA 16 ensures :

- an operating comfort thanks to its integrated color touch 7" screen,
- on screen report of the events as they occur (time-stamped),
- management of 1 or 2 alarm zones (ZA),
- control of 16 DAS via DDOs on 1 or 2 addressable BUS,
- control of 16 SARs in standby, safety or security mode (for SARs equipped with this option),
- association with the alarm management unit of the control (ECS) and signalling, equipment/fire safety centralizer (CMSI) and fire safety centralizer (CMSI) via 2 supervised lines (one line for each safety area),
- the extraction of the event history in the excel format via the USB port on the front panel,
- the ability to monitor the system in real time through the operational support unit VISUALIS 3D,
- the interface with the video surveillance via a RS485 connection,
- Powered by an integrated power supply equipment (EAE)

Technical characteristics

- Power supply :

- 220 V / 24 V integrated backup charger power supply wall-mounted and rack version
- nominal voltage: 24 Vcc for UGCIS and its DDOs
- consumption: 500 mA for the UGCIS and 150 mA per DDO

- Dimensions (W x H x D) :

- lectern version: 485 x 165 x 235 mm
- wall_mounted box: 600 x 325 x 200 mm
- rack version: 3U 19 inches

- Weight :

- 5 kg for the lectern version

- 10 kg excluding batteries for the wall-mounted box version and rack

Peripherals Synoptic

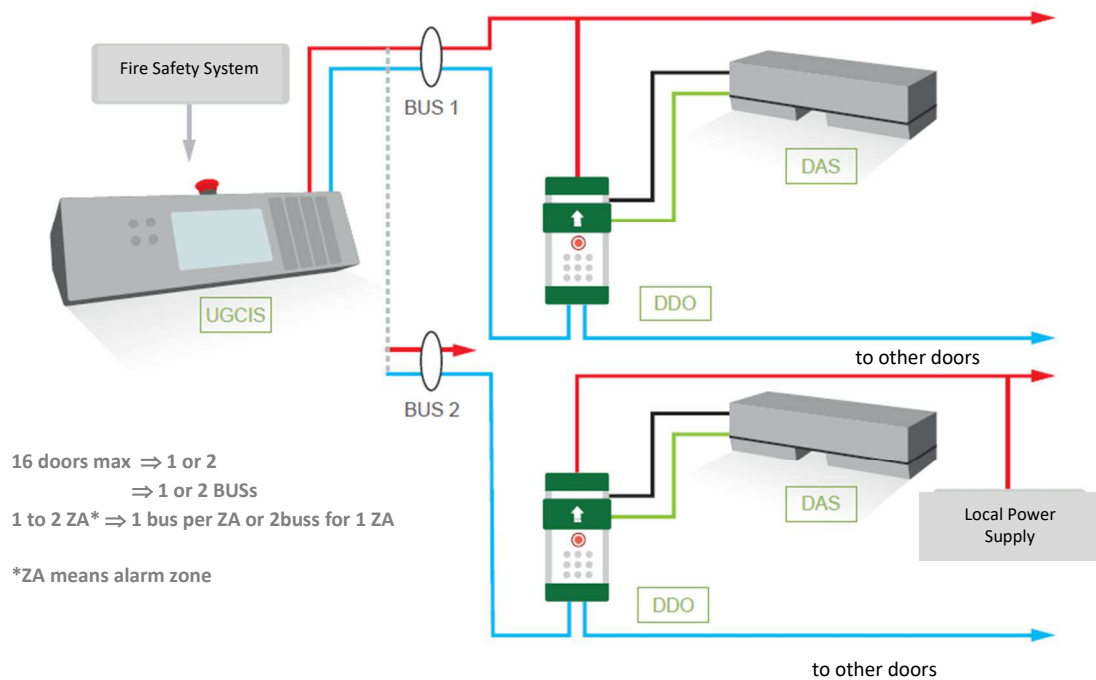
According to Annex A of the NF S 61-934 standard, the DDO must be considered both as a remote equipment of the Fire Safety Centralizer (CMSI), and of the UGCIS.

The choice of the DDO depends on the type of DAS lock used.

CLAS2, CLEV2 or CLEVD2(C) for a 2-state SAR: security or standby mode.
CLAS3, CLEV3 or CLEVD3(C) for a 3-state SAR: security or standby or safety mode*.

*The security mode is activated by entering the code on the UGCIS (level 2 access), it is under the responsibility of the head of establishment, without the presence of people in the establishment.

Overview drawing



16 doors max ⇒ 1 or 2
⇒ 1 or 2 BUSs
1 to 2 ZA* ⇒ 1 bus per ZA or 2buss for 1 ZA
*ZA means alarm zone

- RO2V power supply cable (section to be defined according to consumption)
- Remote control cable (1p 1.5mm² RO2V)
- Multi-pair cable for power supply of lock and contacts (5p or 7p 9/10th depending on the lock)
- Communication bus cable between UGCIS and DDO (1p 9/10th SYT1)