



## Unité de Gestion Centralisée des Issues de Secours

NF S 61-934 / NF S 61-935

### BUAYA 32

**The centralized exit management unit (UGCIS) BUAYA 32 manages 32 doors maintained locked by a Security Actuated Devices (DAS).**

#### **Emergency unlocking of exits is possible in three ways:**

- by the automatic activation of the safety procedure unlocking all the emergency exits of the concerned area via the general evacuation system placed upstream,
- by activating the safety procedure command by area available from UGCIS
- by a local action on the Demand Device (DDO) placed close to the exit leading to the automatic unlocking after a time delay of 8 seconds (T1), the door can be kept locked thanks to the UGCIS up to 3 minutes (T2), to allow the removal of visual doubt of the concerned door.

#### **Functional characteristics**

##### **BUAYA 32 ensures :**

- an operating comfort thanks to its integrated 7 colour touch
- screen display
- on-screen reporting of events as they occur (time-stamped)
- management of 1 or 2 alarm zones(AZ)
- control of 32 DAS via Opening request devices (DDOs) on 2
- addressable BUSs and on 1 or 2 alarm zones
- control of 32 DAS in standby, safety or security mode, or association with the alarm management unit of the control (ECS) and signalling, equipment/fire safety centralizer (CMSI) and fire safety centralizer (CMSI) via 2 supervised lines (one line for each
- safety area)
- extraction of the event history in excel format via the USB port on the front panel
- the ability to monitor the system in real time through the
- operational support unit VISUALIS 3D
- an interface with the video surveillance via a connection RS485, powered by an integrated power supply equipment (EAE)



#### **Recommended equipment for:**

- Establishments Receiving Public (ERP), provided with a security post,
- Administrations.

#### **Technical characteristics**

##### **Power supply :**

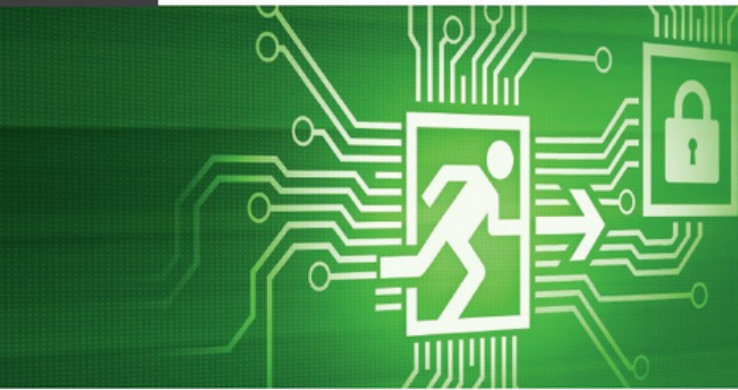
- 220 V / 24 V integrated backup charger power supply wall-mounted and rack version
- nominal voltage: 24 Vcc for UGCIS and its DDOs
- consumption: 500 mA for the UGCIS and 150 mA per DDO

##### **Dimensions (W x H x D) :**

- wall-mounted box: 530 x 520 x 240 mm
- - rack version: 551 x 330 x 100 mm (4U 19-inch front panel)

##### **Weight :**

10 kg excluding batteries for the wall-mounted box version and rack



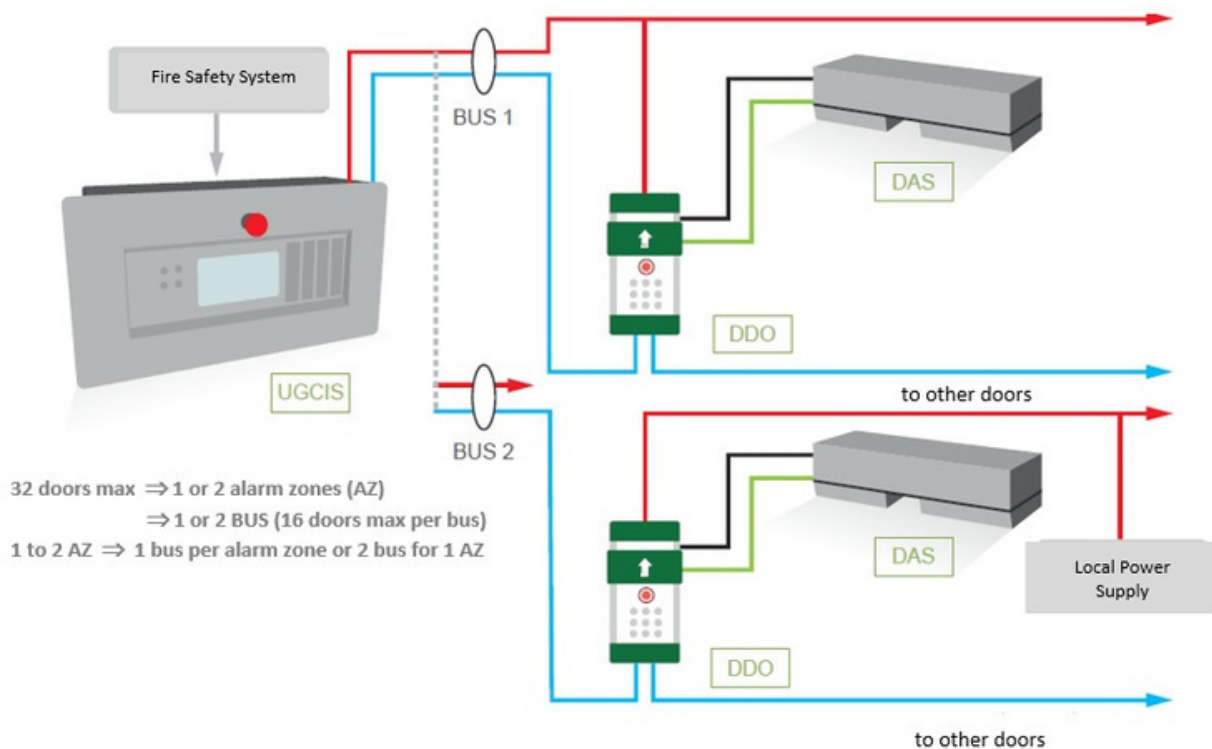
# Unité de Gestion Centralisée des Issues de Secours

NF S 61-934 / NF S 61-935

## BUAYA 32

According to Annex A of the NF S 61-934 standard, the DDO must be considered both as a remote equipment of the Fire Safety Centralizer (CMSI), and of the UGCIS. The choice of the DDO depends on the type of DAS lock used.

CLAS2, CLEV2 or CLEVD2(C) for a 2-state SAR: security or standby mode.
CLAS3, CLEV3 or CLEVD3(C) for a 3-state SAR: security or standby or safety mode*.



- RO2V power supply cable (section to be defined according to consumption)
- Remote control cable (1p 1.5mm<sup>2</sup> RO2V)
- Multi-pair cable for the power supply of the lock and contacts (5p or 7p 9/10th depending on the lock)
- Bus cable allowing the communication between the UGCIS and the DDO (1p 9/10th SYT1)